

240VAC EV Charging Station Level 2



■ Advanced Cord Management shown above

Plug-in electric vehicles are becoming popular due to rising fuel costs and environmental concerns.

Eaton's EV Charging Station provides a safe and reliable means to quickly power up Electric Vehicles.

Features and Benefits:

- Charge electric vehicles up to 5 times faster than with a vehicle's cordset
- 208/240VAC
- 16 and 30 amp units available
- Wall-mount and Pedestal styles
- Quick and easy installation
- Rugged stainless steel construction
- Indoor / outdoor rated
- Auto-reset feature
- Hardwire Connected
- SAE J1772™ compliant connector
- Optional advanced cord management to protect SAE J1772™ connector
- Standard 24' cord
- Optional LED lighting available
- Optional utility grade sub-metering
- ETL listed to UL® 2594/2231/1998
- Customization available

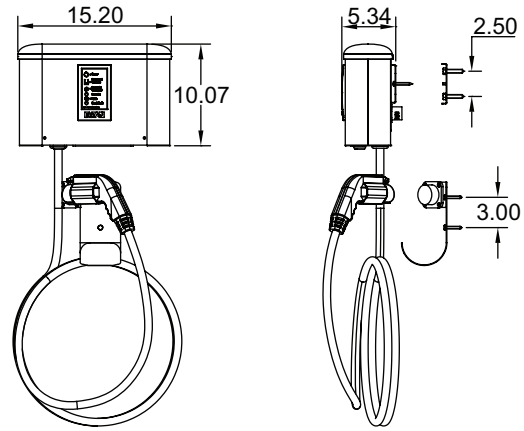
EATON

Powering Business Worldwide



Table 1. Specifications

Description	
Electrical Input	
Voltage	208/240VAC
Amperage	16A (L216 Style) 30A (L230 Style)
Connection	Hardwired
Electrical Output	
Power	3.8kW (L216 Style) 7.2kW (L230 Style)
Connector	SAE J1772™
Cable Length	24'
Physical / Environmental Specifications	
Wallmount Dimensions – HxWxD	10" x 15" x 5"
Weight	23 lbs.
Operating Temperature	-30°C to 50°C
Status Indicators	5 LEDs: 'Power/Ready', 'Connected/Charging', 'Remotely Controlled', 'Fault', and 'Service'
Push Buttons	2 Buttons: 'Override' and 'Reset Fault'
Enclosure Rating	NEMA Type 3R - Stainless Steel
Safety Specifications	
ETL Listed to UL 2594/2231/1998	✓
cETL Listed	✓
Interlocked Power Protection	✓
Ground Fault Protection	✓
Over-Current Protection	✓



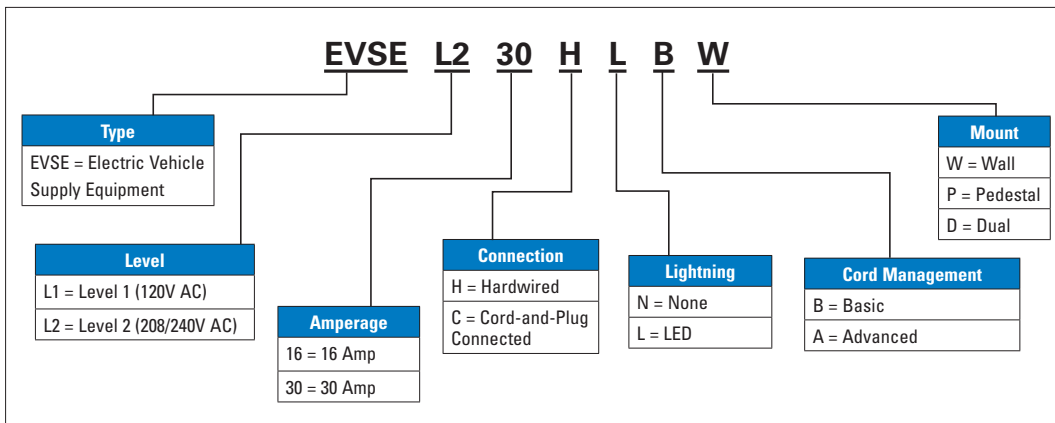
Dimensions (Inches)
(Advanced Cord Management)



Intuitive User Interface



Optional LED Lighting



Eaton Corporation
Electrical Sector
1111 Superior Ave.
Cleveland, OH 44114
United States
855-ETN-EVSE (855-386-3873)
www.eaton.com/plugin

© 2011 Eaton Corporation
All Rights Reserved
Printed in USA
Publication No. PA00406003E
July 2011



Proud Sponsor of



For installation services visit us online to find an Eaton Certified Contractor @ www.eaton.com.

UL is a registered trademark of Underwriters Laboratories.

All other trademarks are property of their respective owners.